



DTE6-2RN



Enclosed Switches Series E6: Top Plunger Actuator; 2NC 2NO DPDT Snap Action; 0.5 in - 14NPT conduit

Actual product appearance may vary.

Features

- Side or flange mount
- Momentary or maintained contact
- Grounding screw
- High capacity (22 amp) available
- Temperature range -32 °C to +71 °C [-25 °F to +160 °F]
- Zinc Die-Cast housing NEMA 1
- UL Recognized, file #E12252
- CSA Certified, file #LR41372
- NEMA 1, 3, 4 /IP66
- Pre-leaded or connector termination options

Potential Applications

- Packaging equipment
- Special machinery
- Textile machinery
- Conveyors
- Construction machinery and equipment
- Printing trades machinery
- Overhead cranes and hoists

Description

MICRO SWITCH™ E6 (side mount) and V6 (flange mount) switches are offered with or without actuator seal boots. Both have a combination insulator/seal cemented inside the bottom enclosure. Lead washers are used to seal the mounting holes on side mount switches. All side mount switches are installed with #6 screws, except the BZE6-2RN7 (#8 screws). Removal of the bottom enclosure exposes the terminals for easy wiring.

Product Specifications	
Availability	Global
Operating Force (O.F.)	6,95 N to 16,4 N [25 oz to 59 oz]
Release Force (R.F.)	1,67 N min. [6 oz min.]
Pretravel (P.T.)	2,8 mm max. [0.110 in max.]
Overtravel (O.T.)	3,18 mm min. [0.125 in min.]
Differential Travel (D.T.)	1,52 mm min. [0.060 in min.]
Product Type	Enclosed Switches
Actuator	Top Plunger
Circuitry	2NC 2NO DPDT Snap Action
Ampere Rating	10 A Ind./0.3 A Res./0.15 A Res.
Supply Voltage	125 Vac, 250 Vac/125 Vdc/250 Vdc
Housing Material	Zinc Die-Cast
Termination Type	0.5 in - 14NPT conduit
Housing Type	Split Housing, Side Mount
Series Name	E6/V6
Sealing	NEMA 1, 3, 4 /IP66
Approvals	UL recognized, CSA certified
CSA File #	LR41372
UL File #	E12252
Operating Temperature Range	-32 °C to 71 °C [-25 °F to 160 °F]
Comment	With seal boot on plunger
UNSPSC Code	302119
UNSPSC Commodity	302119 Switches and controls and relays
Sealed	Industrial

MICRO SWITCH
a Honeywell Division

SWITCH - ENCLOSED

CATALOG LISTING
DTE6-2RN

FED. MFG. CODE 91929

CATALOG LISTING
DTE6-2RN

ISSUE
M
13

REVISIONS	DATE	BY	CHKD
A	00-73751	S A V	8 OCT 92
B	00-73655	S M	21 APR 93
C	00-77179B	K D R	21 FEB 94
D	0016895		

VKR
18NOV05

CHECK

W L S

21 FEB 94

CHECK

W L S

21 FEB 94

CHECK

W L S

21 FEB 94

CHECK

W L S

21 FEB 94

CHECK

W L S

21 FEB 94

DDM/CAD
DRAWN

REPLACES

RELEASE NO.

CHECK

BP

CHECK

W L S

21 FEB 94

CHECK

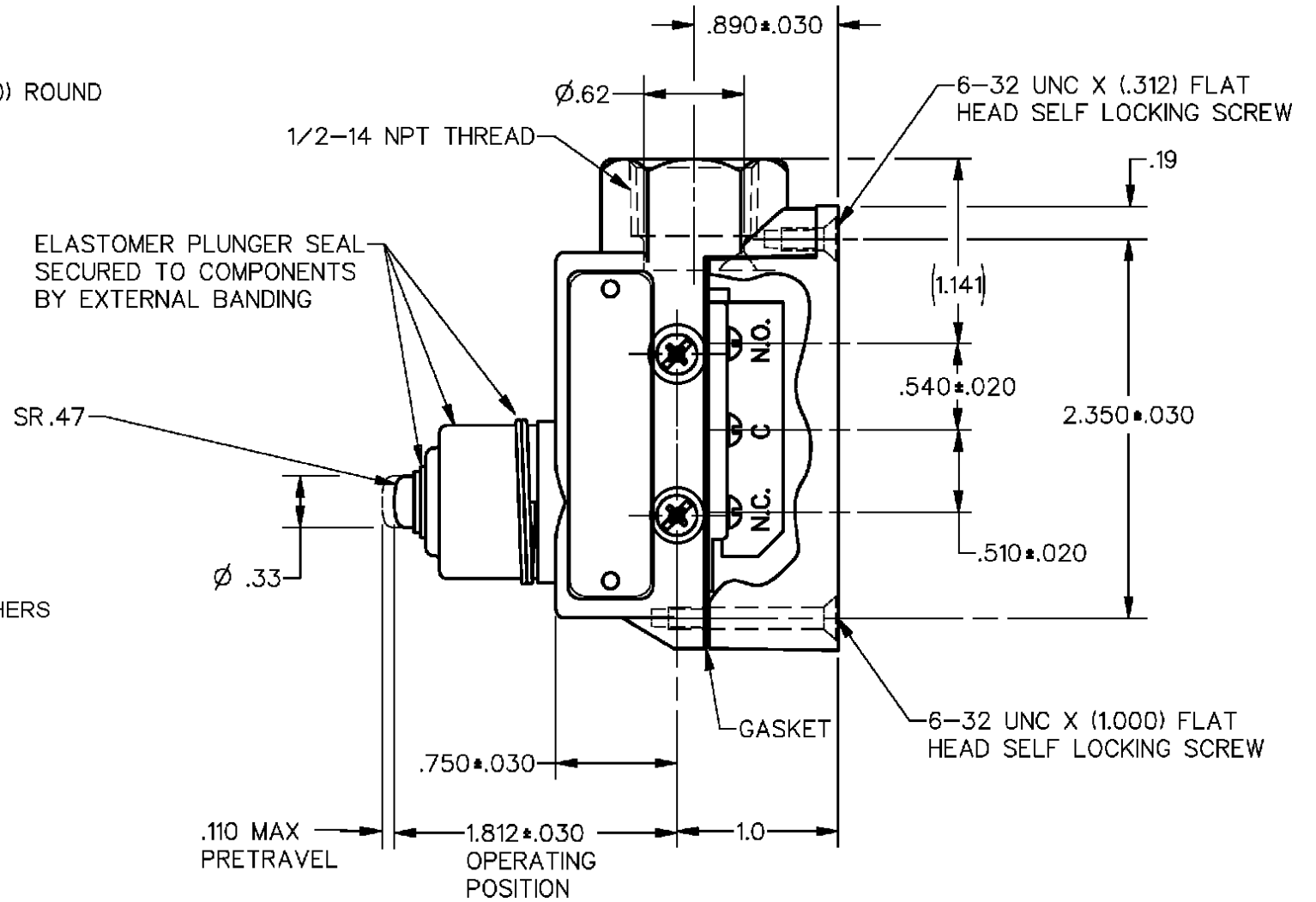
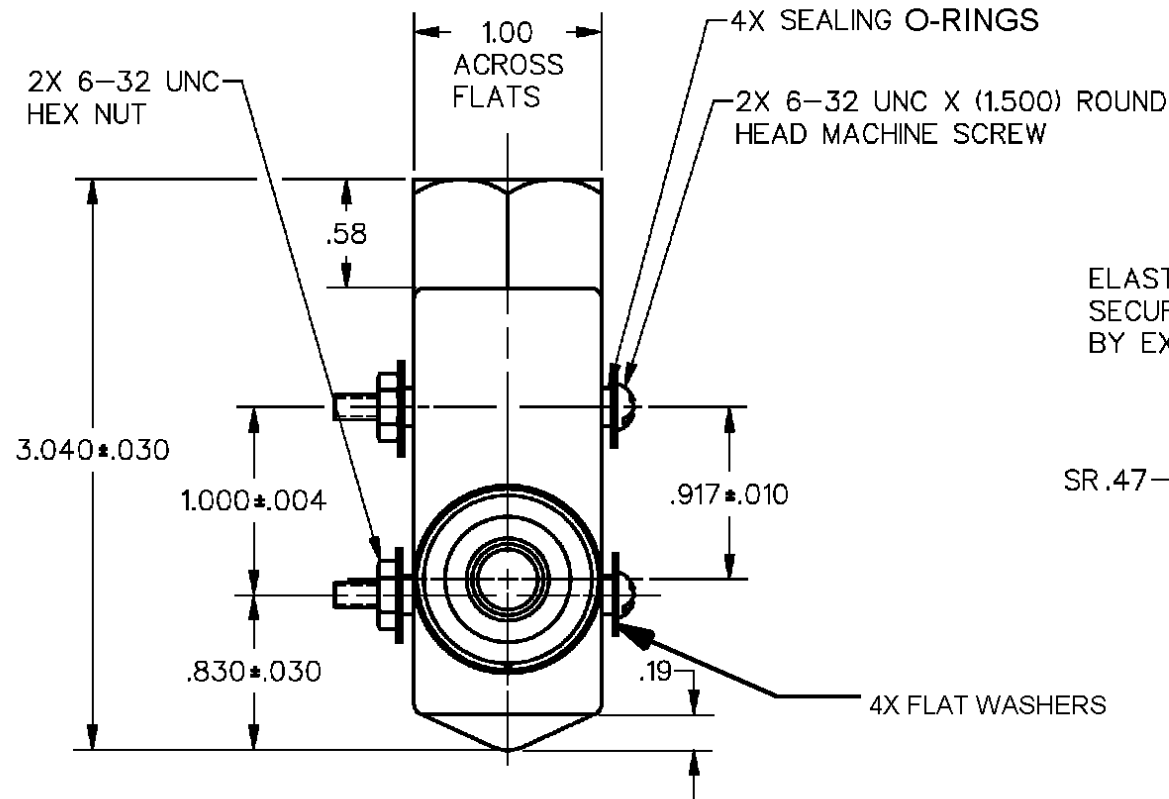
W L S

21 FEB 94

CHECK

W L S

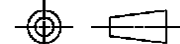
21 FEB 94



NOTE
1 - 6X 4-40 UNC X (.125) TERMINAL SCREW AND LOCKWASHER
2 - SEAL RATING : NEMA 1.3
IP 54

THIS DRAWING COVERS A PROPRIETARY ITEM AND IS THE PROPERTY OF MICRO SWITCH, A DIVISION OF HONEYWELL. THIS DRAWING IS NOT TO BE COPIED OR USED WITHOUT THE APPROVAL OF MICRO SWITCH

THIRD ANGLE PROJECTION



CHARACTERISTICS

OPERATING FORCE ———— 26-59 OZ
DIFFERENTIAL TRAVEL ———— .060 MAX
OVERTRAVEL ———— .125 MIN
BASIC SWITCH REPLACEMENT ——— DT-2R-A7

ELECTRICAL DATA

CONTACT ARRANGEMENT
D P D T
L59 10A 125 OR 250 VAC
0.3A 125 VDC, 0.15A 250 VDC

SCALE FULL

DO NOT SCALE PRINT

UNLESS OTHERWISE SPECIFIED TOLERANCES ARE

ONE PLACE (.0) ± .030
TWO PLACE (.00) ± .015
THREE PLACE (.000) ± .005
ANGLES ±

WEIGHT .56 LB



ANSI Y14.5M-1982 APPLIES